

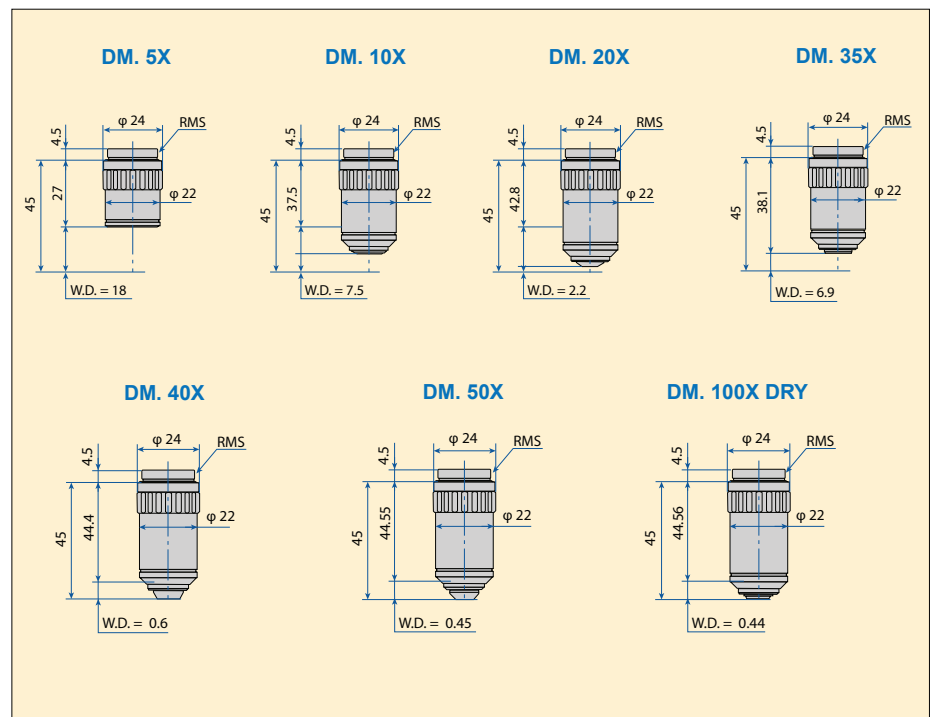
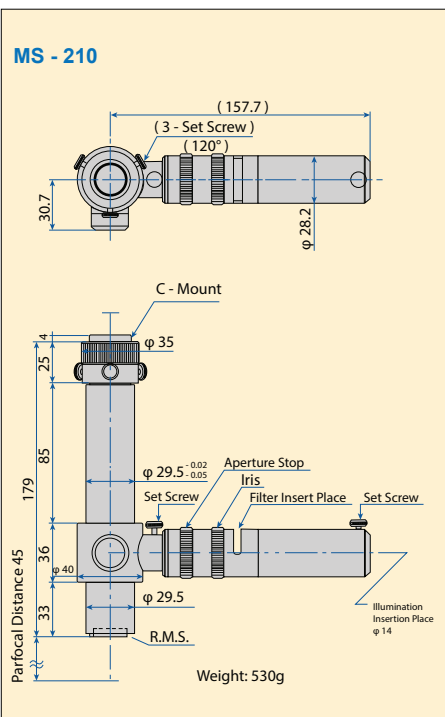
Coaxial Tube Lens Finite DM Series



Finite DM Series

Series of Finite objective lens with 210mm mechanical tube. Comes with optical magnifications of 5X, 10X, 20X, 35X, 40X, 50X, 100X.

Note: Objective lens are optional



Specifications

Objective Lens Model	DM. 5X	DM. 10X	DM. 20X	DM. 35X	DM. 40X	DM. 50X	DM. Plan 100X
Magnification	5X	10x	20X	35X	40X	50X	100X
Working Distance	18mm	7.5mm	2.2mm	6.9mm	0.6mm	0.45mm	0.44mm
Focal Length (f)	37.9mm	22.17mm	11.72mm	6.06mm	5.78mm	4.66mm	2.17mm
N.A.	0.10	0.25	0.4	0.45	0.65	0.68	0.9
Resolution	3.4μm	1.3μm	0.8μm	0.7μm	0.5μm	0.5μm	0.4μm
Focal Depth (±D.F.)	27.5μm	4.4μm	1.7μm	1.35μm	0.7μm	0.6μm	0.3μm
Weight	52g	85g	88g	85G	95g	96g	99g
Accessories	MS - 210: F20 - W Frosted Filter						

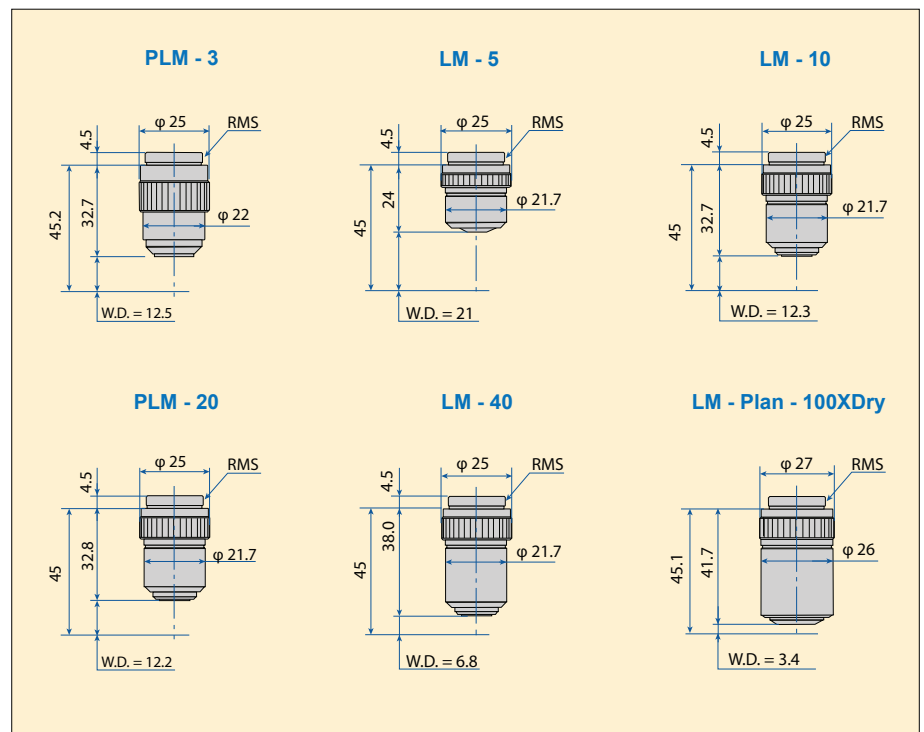
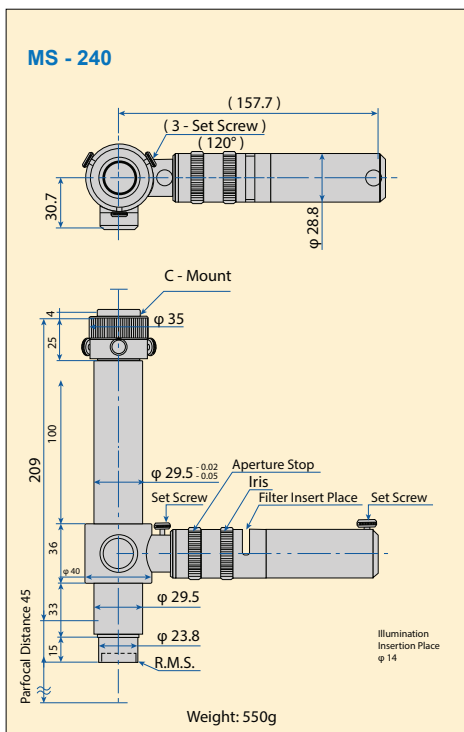
Coaxial Tube Lens Finite LM Series



Finite LM Series

Series of Finite objective lens with 240mm mechanical tube. The working distance is longer than the DM series.

Note: Objective lens are optional



Specifications

Objective Lens Model	PLM - 3	LM - 5	LM - 10	LM - 20	LM - 40	LM - PLAN 10 x DR0
Magnification	3X	5x	10X	20X	40X	100X
Working Distance	12.5mm	21mm	12.3mm	12.2mm	6.8mm	3.4mm
Focal Length (f)	78.07mm	53.88mm	22.5mm	11.45mm	6.06mm	2.33mm
N.A.	0.07	0.10	0.22	0.30	0.45	0.80
Resolution	4.8μm	3.4μm	1.5μm	1.1μm	0.7μm	0.4μm
Focal Depth (±D.F.)	56.2μm	27.5μm	5.6μm	3.0μm	1.4μm	0.4μm
Weight	88g	43g	73g	76G	82g	95g
Accessories	MS - 240: F20 - W Frosted Filter					